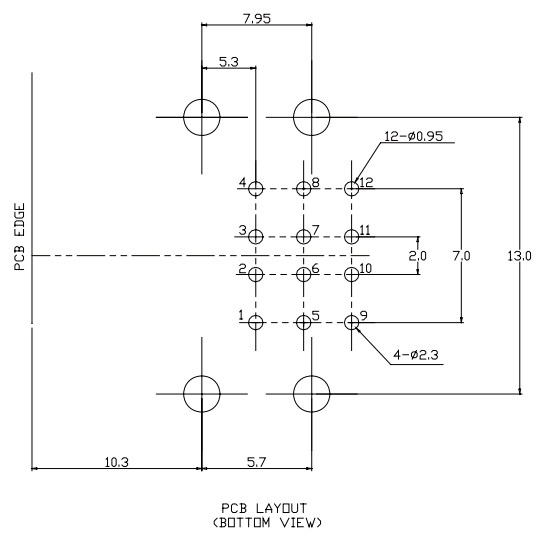
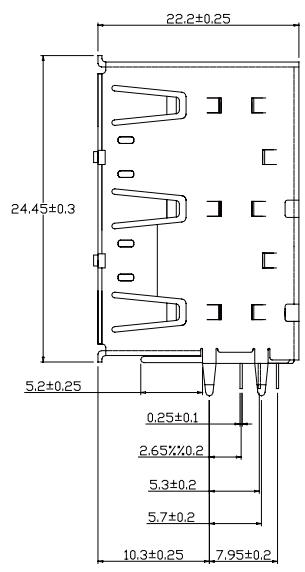
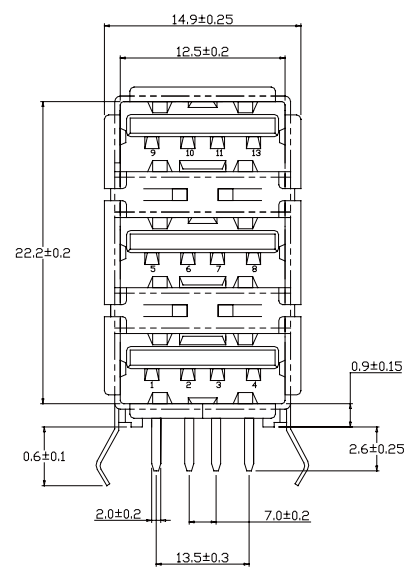


|       |     |                               |           |      |
|-------|-----|-------------------------------|-----------|------|
| BY    | CHK | REVISION RECORD MODIFICATIONS | DATE      | REV. |
| ALLEN |     | RELEASE TO PRODUCTION         | 2007,9,10 | 1.0  |



| No. | NAME         | MATERIAL     | FINISH          | Q'TY | REMARK                   |
|-----|--------------|--------------|-----------------|------|--------------------------|
| 1   | HOUSING      | P.B.T.       | BLACK/WHITE     | 1    |                          |
| 2   | PIN TERM.    | COPPER ALLOY | GOLD/TIN PLATED | 12   | Ni-1.5u/TIN3u<br>GOLD1-3 |
| 3   | SHELL        | BRASS,0.3mm  | TIN PLATED      | 1    | TIN:3~5u                 |
| 4   | SHELL        | BRASS,0.3mm  | TIN PLATED      | 1    | TIN:3~5u                 |
| 5   | SHELL        | SPCC,0.3mm   | NICKEL PLATED   | 1    |                          |
| 6   | BOTTOM COVER | P.B.T.       | BLACK           | 1    |                          |

Part No.: USB-003-A  -L  
 B:Black W:White

|       |       |       |   |                      |       |             |  |
|-------|-------|-------|---|----------------------|-------|-------------|--|
| APPRO | CHECK | DRAWN | PART NO.  | Part No.:USB-003-A-L |       | DESCRIPTION |  |
|       |       |       | ITEM NO.  |                      |       |             |  |
|       |       |       | DRAW NO.  |                      |       |             |  |
|       |       |       | UNIT  | mm                   | SCALE |             |  |
|       |       |       | TOLER   |                      | NO.   |             |  |
|       |       |       | Tel:0769 22020068 Fax: 0769 22020069 E-mail: sales@vigortec.com |                      |       |             |  |